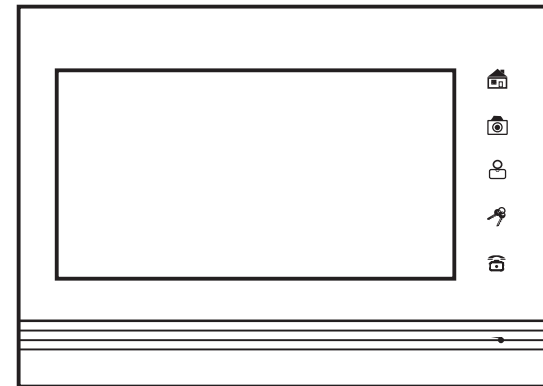


Video recording & photo shooting video door phone

User manual



Please read all of these instruction before installation

Catalogue

- A. Description3**
- B. product structure.....4-5**
- C. Interface operation instructions5-10**
- D. Connection diagram10-14**
- E. Installation15-16**
- F. Specification16-17**
- G. Others17-18**

A. Description

a. Product description

The range of products are developed in full accordance with the needs of people and the development of modern household living requirements. It is full embodies the company people-oriented R & D and production strategies.

The product uses the international common 4-wire connection. Connect the doorbell to the indoor monitor and outdoor camera. Not only it can make voice calls but also can see images of visitors. The video decoding of cable transmission is stability, video has a smooth effect. No interference from the signal, high voice quality, and enhance the security of the calling. The effective transmission distance up to 100 meters. The new UI interface, menu operation; support photo shooting, video recording function; support to insert TF storage card; support the outdoor housing and three circuit monitors camera cycle surveillance at the same time at the same time.

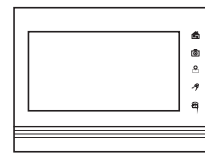
The part of screen adopts imported TFT LCD screen, the visual resolution is 800*480. The image is clear and transparent, and the colour is gorgeous without distortion. Colorful and real. The camera using 700 Line HD digital camera. Night vision has color images (White LED fill-in light) or black and white image (Infrared light). Two ways of meeting the needs of different people.

The audio intercom uses the telephone general chip design, speech sound is clear, strong anti-interference capability and has low failure rate. The doorbell is made of a special chip. Record 12 polyphonic ring tones to meet the auditory needs of different people. Ringtone, the volume of intercom is adjustable. Brightness, contrast, color can be adjustment in the menu interface.

The indoor monitor sets up the lock key, you can open the door easily without leaving your home.

The indoor monitor is setting the leave home mode, photo shooting and video recording automatically. Each time a call button is pressed, the system is video recording automatically. (The video time is 30 seconds) and store it. The standard 4G memory card, photos and recording videos are partitioned storage. It can store 1024 photos. (And then up to the maximum number, it will automatically from the first picture cycle to cover storage) The rest storage for store the recording videos, the video need 800KB storage per second (After the users are finished with the memory, it will automatically from the first video cycle to cover storage). Sufficient capacity, don't lose any information about visitors, add a security barrier for your home.

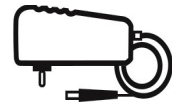
b. Standard Package



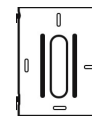
Indoor unit



Outdoor unit



Adapter



Indoor unit wall-plate



Cable



Screws

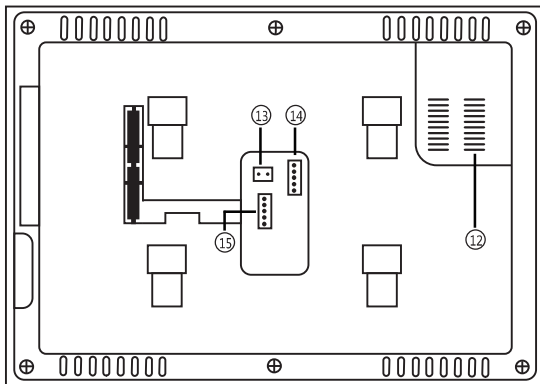
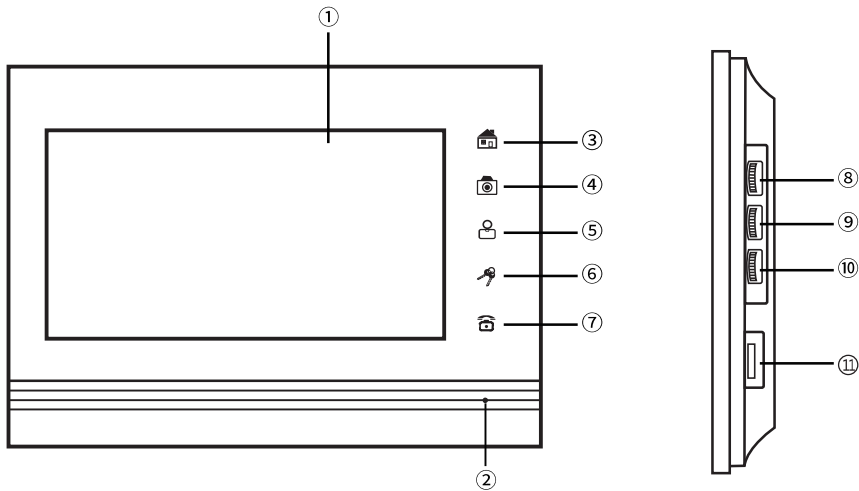


TF Memory card

B. product structure

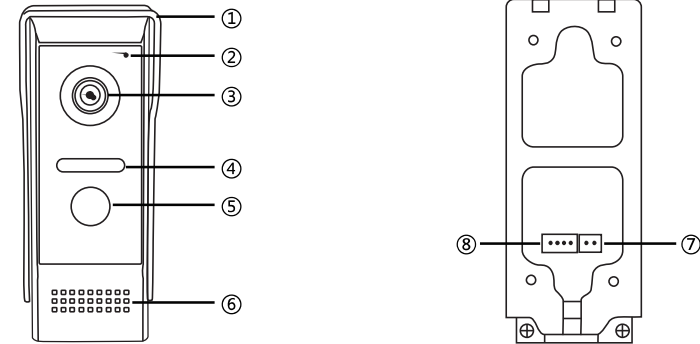
a. Indoor unit

- | | | |
|----------------------------|------------------------------------|--------------------------|
| ① Color lcd display screen | ⑧ Multi-function drive plate | ⑮ Connect Indoor Monitor |
| ② Speaker | ⑨ Adjust the ring tons/ring volume | |
| ③ Leave home mode button | ⑩ Adjust the volume of intercom | |
| ④ Camera button | ⑪ TF card slot | |
| ⑤ Monitoring button | ⑫ Loudspeaker | |
| ⑥ Unlock button | ⑬ Power Port | |
| ⑦ Speaking button | ⑭ Connect Outdoor Camera | |



b. Outdoor

- | | |
|----------------------|------------------------------|
| ① Rain cover | ⑤ Call button |
| ② MIC | ⑥ Loudspeaker |
| ③ Camera | ⑦ Connect the electric lock |
| ④ Night vision light | ⑧ Connect the indoor monitor |



C. Interface operation instructions

a. Interface description

1. Idle screen



- | |
|---|
| ① Time display |
| ② Date display |
| ③ New file reminder |
| ④ The current mode is to take pictures |
| The current mode is video |
| ⑤ SD card online |
| SD card is not online |

Note: Multi function control buttons move upwards(○), open the screen.
Down the Multi function control buttons(○), closing screen.

2.Main Interface

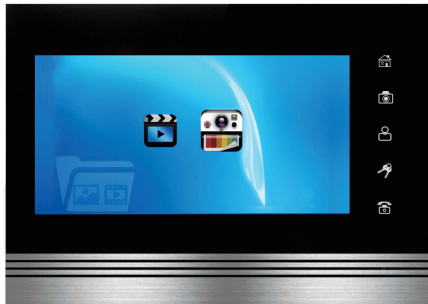


- ①. View File
- ②. Take photo/record video mode switching
- ③. Set time
- ④. Set date

- ⑤. Adjust brightness
- ⑥. Adjust Contrast
- ⑦. Adjust color
- ⑧. Set Ring Tone
- ⑨. Return key

Remark:In black screen or standby page,press the multi-function drive plate vertically(○←)to enter the main screen,multi-function drive plate move up(○↑) or down(○↓)to select the target item.

3.Viewing the file interface



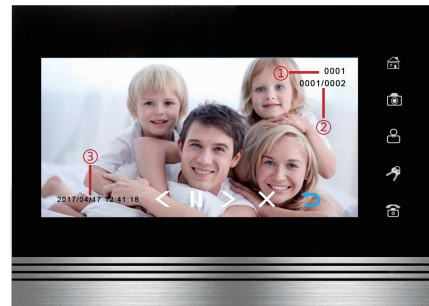
- ①. viewing photos
- ②. viewing video

Remark:The multi-function drive plate is down (○↓) to choose.Move up (○↑) to return to the superior interface.Enlarge after the selected icon. Vertical press (○←) confirm to enter the file interface.

Viewing the image interface:



Viewing the video interface:



①.“0001” :Not read the file number

②.“0001/0002” :File serial number/The total number of files

③.“2017/04/17 12:41:18” :Take photos/Video time

④. Page up

⑤. Page down

⑥. Pause

⑦. Broadcast

⑧. Delete

⑨. Return to the superior page

4.Take photos/Video mode switching interface



- ①. Setting the photo mode
- ②. Setting the video mode
- ③. Format the memory card

Remark: The multi-function drive plate is down (○↓) to choose,move up (○↑) to return to the superior interface.

Enlarge after the selected icon,Vertical press (○←) confirm the setting and return to the superior menu.

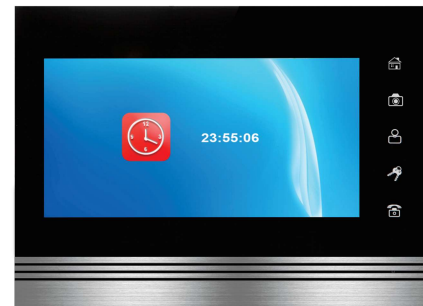
Remark:The maximum support of 32G TF storage card and cycle replace.(There is no guarantee that all cards will be compatible,please use our standard memory card.) You must insert the memory card to store the photos and video.

The first memory card must be formatted into FAT32 format by computer.

After inserting machine, perform a format operation to store the files normally (The step goal is to store files after the memory card is partitioned.)

All files will be deleted after the normal memory card is formatted,Please careful operation !

5.Setting the time interface



Remark: The multi-function drive plate move (○↑) up and down to (○↓) switch choose character.Vertical press (○←) confirm the setting and Automatic return to the superior menu after confirmation of seconds.

6.Date setting interface



Remark: The multi-function drive plate move (○) up and down to (○) switch choose character. Vertical press (○←) confirm the setting and Automatic return to the superior menu after confirmation of a particular year.

7.Adjust brightness interface



Remark: The multi-function drive plate move (○) up and down to (○) switch adjustment. Vertical press (○←) Automatic return to the superior menu after the confirmation.

8.Adjust the contrast interface



Remark: The multi-function drive plate move (○) up and down to (○) switch adjustment. Vertical press (○←) Automatic return to the superior menu after the confirmation.

9.Regulating color interface



Remark: The multi-function drive plate move (○) up and down to (○) switch adjustment. Vertical press (○←) Automatic return to the superior menu after the confirmation.


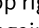
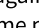
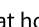

10.Setting the ring interface



Remark: The multi-function drive plate move (○) up and down to (○) switch choose ring tone. Vertical press (○←) Automatic return to the superior menu after the confirmation.

b. Keystroke Instruction


1. Leave home mode button

Tap the monitor button “”, enter to the monitor interface. Tap the keys while monitoring the state “”, and the top right corner of interface will show “” icon, to enable leave home mode successful. Press again “” this button, the top right corner of interface “” the icon disappears, the leave home mode has closed.


Remark: When you stay at home could turn off the leave home mode and open it when you stay outside. In order to save the memory card space.

System default has been closed. You could record video and take photos when open it by your hand operation.



2. Take photos button

Tap the keys while the state of monitoring or intercom “”, take one picture at a time.

3. Monitor button

The indoor unit is in standby mode, it can take the initiative to monitor the door and the monitoring time is 90 seconds by default when you light touch button “”.


4. Lock button

When the indoor unit is in the intercom, light touch button “” can open the door.
When the indoor unit is in the monitoring, light touch button “” can open the door.

5. Speaking button

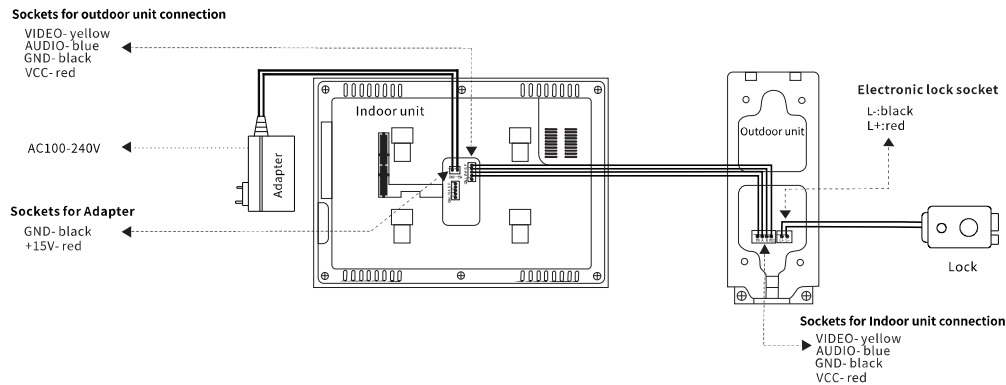
After the visitors press call button, the indoor unit will ring and displays images, it can speaker each other. The talk time default is 90 seconds.

The first time press the “call” button will open speak function, the second time press that close call function. if you need speak again that press monitoring button, then press speak button is ok.

When more monitor are connected, and the outdoor not call, you light press “” can open the intercom and intercom function between the indoor units, the call person first time press the button is call other indoor units, then second times is end call intercom function. Answer the person first time press the button is speak function, then second times is end intercom function, when no answer or receive that it is automatic end of this call 90S after.

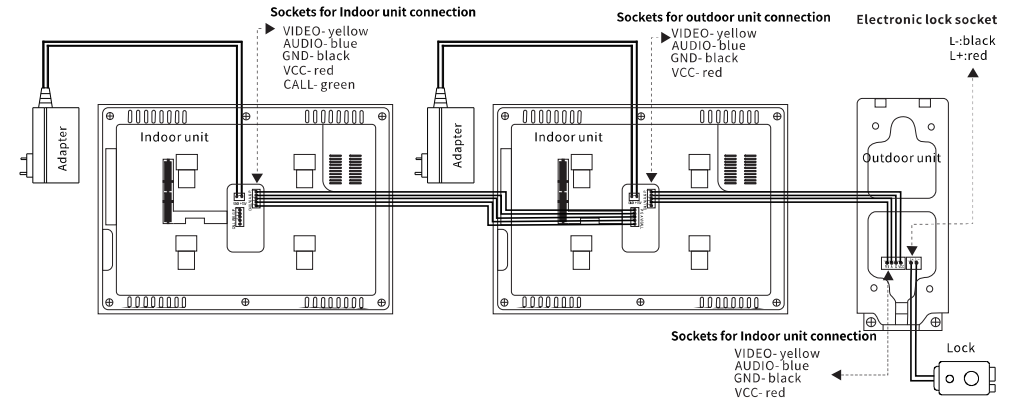
D. Connection diagram

a. Follow the instructions below for one camera to one monitor



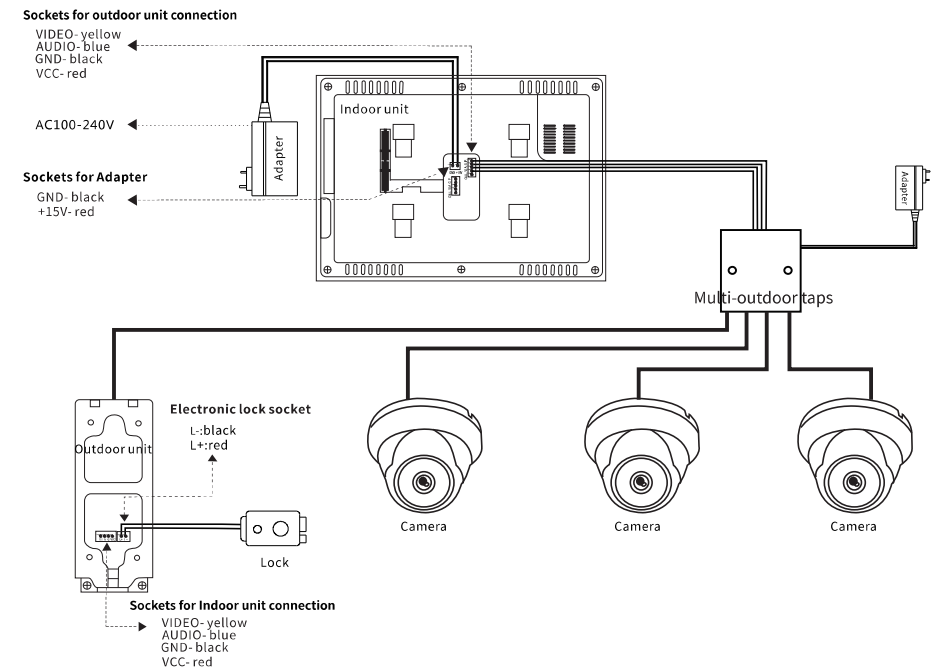
Remark : you need to test your buy the product that you will installing before, the indoor and outdoor connection pls to keep distance of 3meters, otherwise, there will be a loud noise when talking on the intercom .

b. Follow the instructions below for one camera to two monitor



Remark: One outdoor camera with multi-indoor monitors system, between the indoor monitor and indoor monitor can use 4-core wire or 5-core wire, when use 4-core wire to connect, there's no need to use the green wire, this time, no function for the intercom between monitor.

c. Follow the instructions below for connection camera

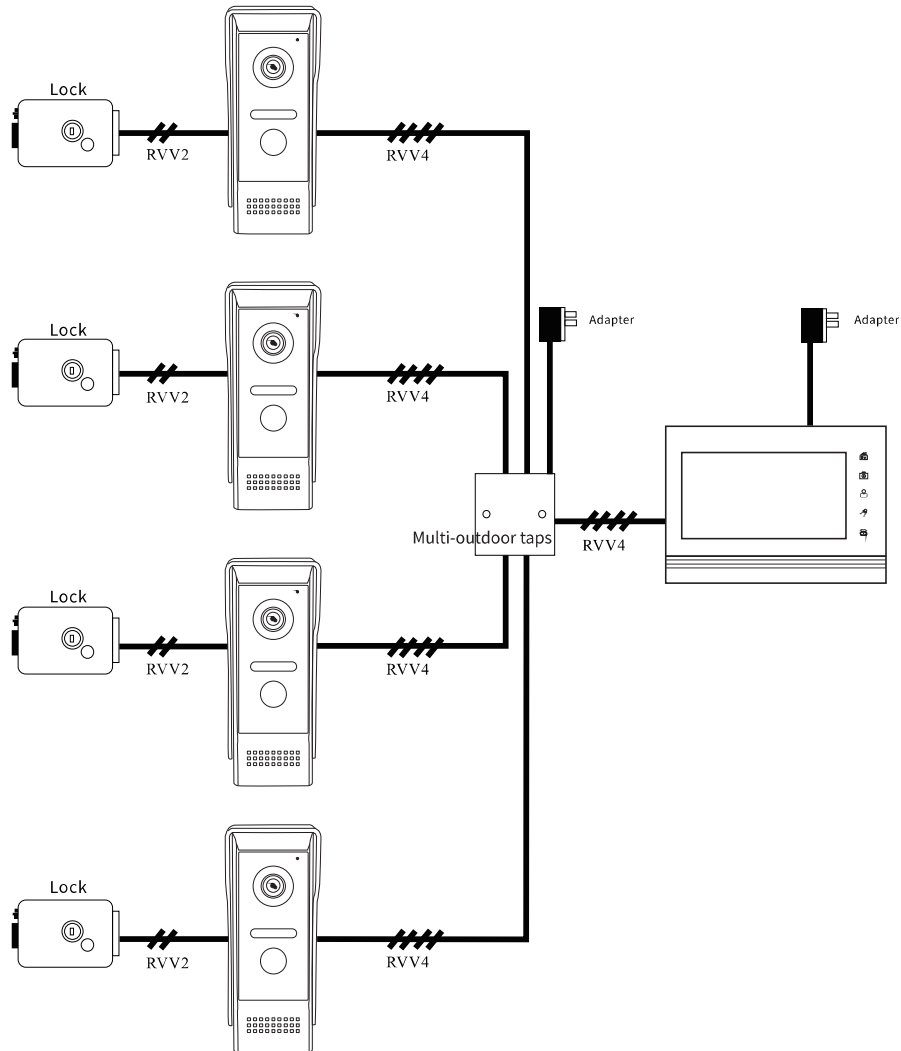


Remark: The Four-way selector is support access to the use of camera. The outdoor camera can separate intercom and unlock. The Socket location of main outdoor camera of the controller is only connected to the outdoor camera. The controller working mode can only select the cyclic monitor mode after connecting the surveillance camera.

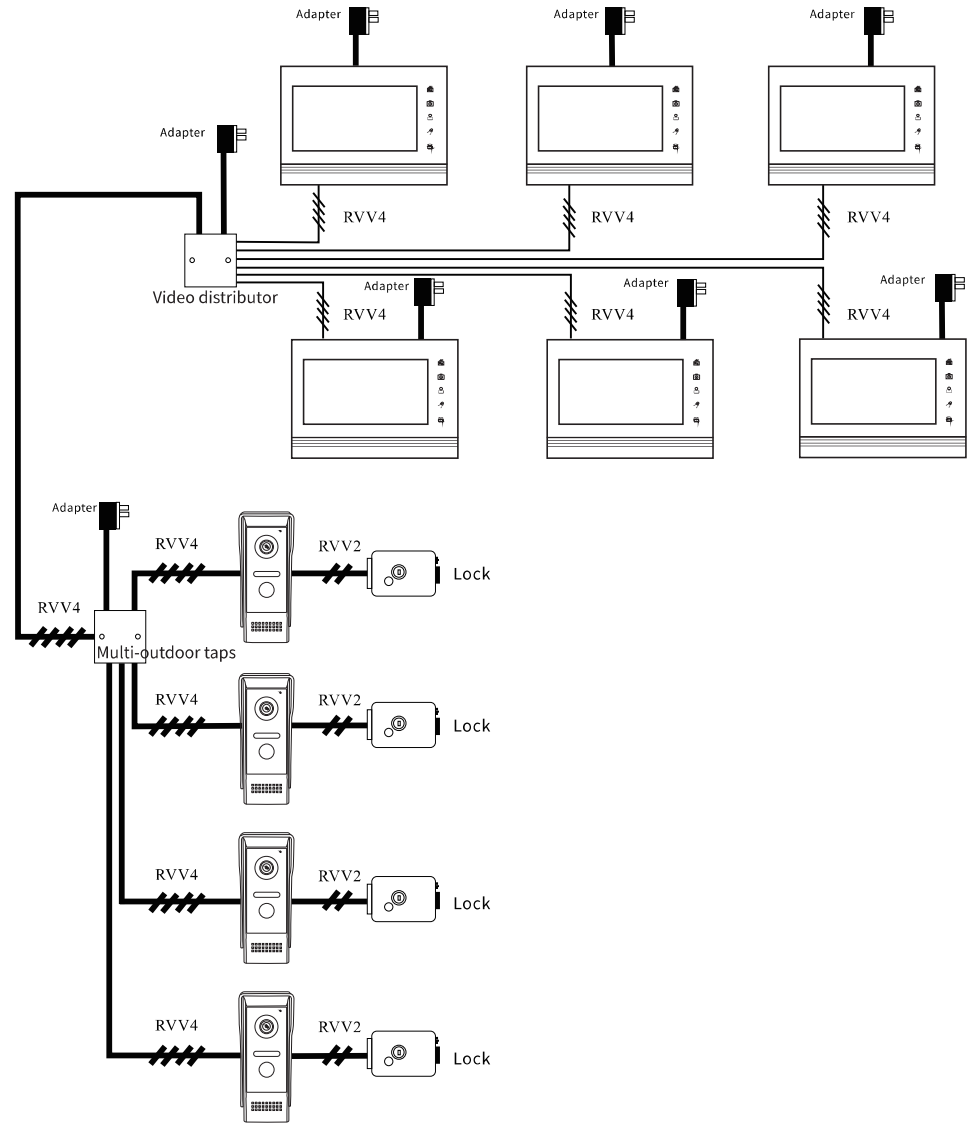
d. Follow the instructions below for more camera to more monitor

The system can support 4 outdoor cameras, each outdoor camera can separate intercom and unlock, when monitoring outdoor, the Four-way selector has three operating modes:

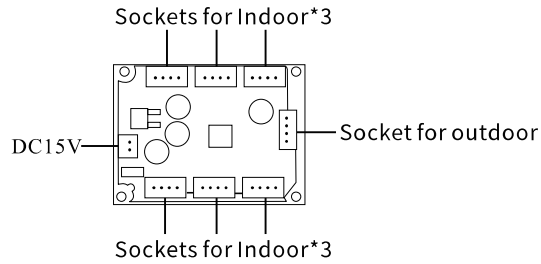
1. Only monitor the main outdoor camera.
2. Monitor the door of the last call.
3. Circulation monitoring, each time you press the monitor button, will monitor the four outdoor cameras in sequence.



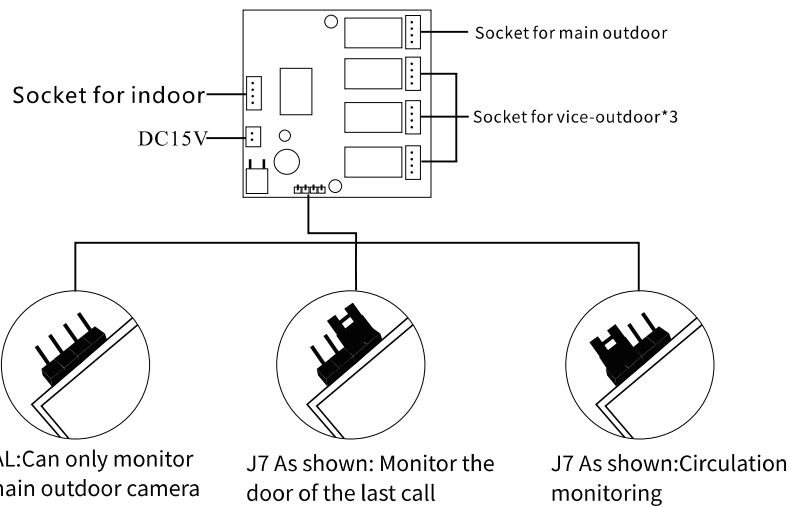
The system supports up to six indoor unit, indoor unit will not interfere with each other, any indoor unit failure will not affect other work.



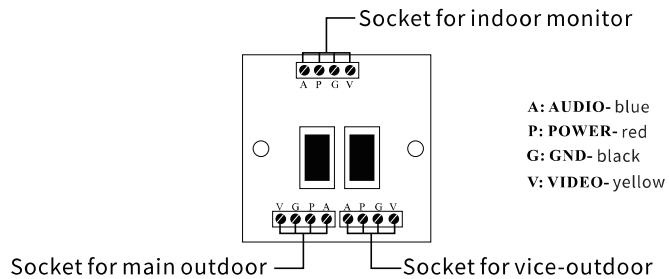
① Video distributor



② Four-way selector



③ Two-way selector



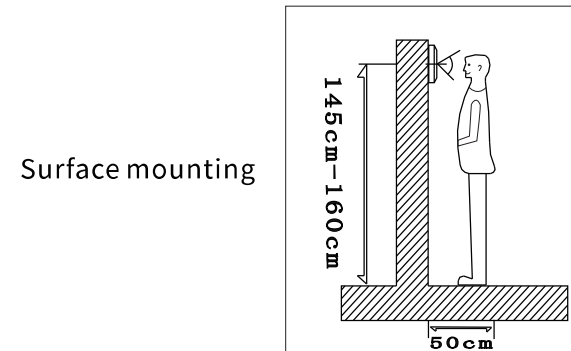
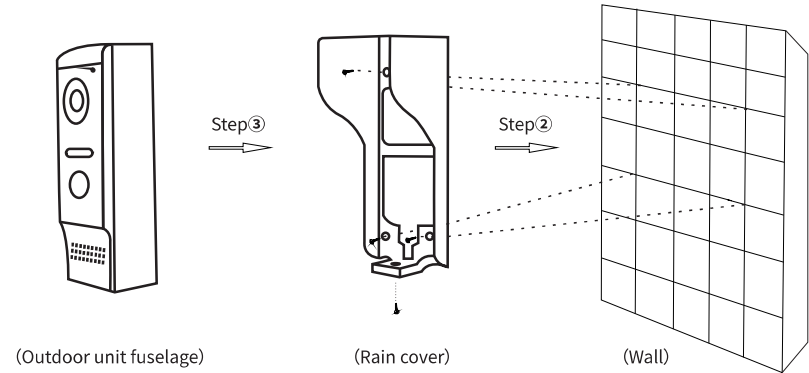
Remark: When using two-way multi-controllers, you don't need to connect the power supply to the controller; But you need to connect the power adapter when you use of four-way multi controller; Using Two-way controller connection system, press the "Monitor" button, only the main outdoor unit can be monitored.

E. Installation instructions

a. Installation of outdoor unit

1. Installation steps:

- ① Remove the rain cover: Unscrew the screws at the bottom of the outdoor unit, Separating the outdoor unit fuselage and rain cover.
- ② Fixed rainproof: Secure the rain shield to the wall with a screw.
- ③ Install outdoor unit: Put the fuselage into the rain cover, and then fix the bottom end of the rain proof with the screw, it is ok.



Try to avoid outdoor unit installed in the strong sunlight

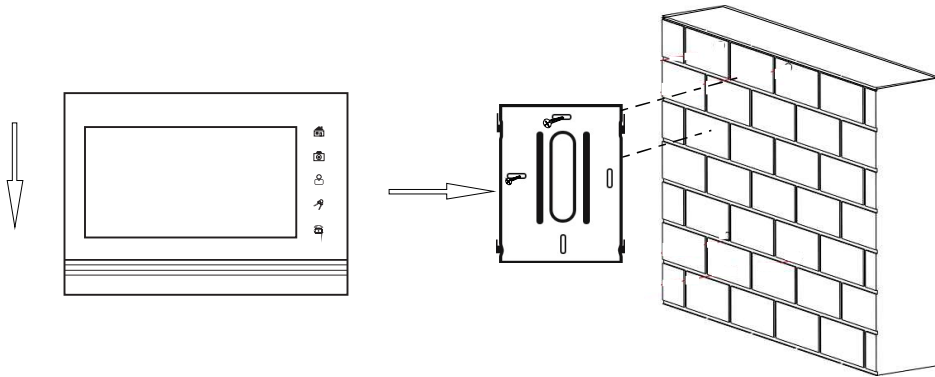
2. Installation notes

- ① Don't use things to block and cover the outdoor unit of the photosensitive sensor.
- ② Make sure that the camera lens is not pointing directly to the sun or at a reflective surface.
- ③ Outdoor unit standard installation height is 145cm-160cm (distance between camera and the floor).
- ④ Make sure the correct wiring is installed, otherwise it may not work properly.

b. Installation of indoor unit

1. Installation steps:

- ① Fixe hanging plate: Fix the hanging plate with screws on the wall
- ② Hang up the indoor unit: Gently hang the indoor unit on the hook of the hanging plate.



2. Installation notes

- ① Don't directly install in sunlight, To avoid affecting the monitoring effect.
- ② Don't install in a drip or wet, hot or low temperature environment.
- ③ Don't install in areas where electromagnetic interference is critical (e.g. motors).
- ④ Indoor unit standard installation height is 145cm-160cm(distance between screen centre and the floor)

F. Specification

a. Cabling standards

Different distance, use different diameter cable, please check the following form to choose corresponding cable.

30M	RVV5*0.30
50M	RVV5*0.50
100M	RVV5*1.0

b. Parameters

Indoor unit		Outdoor unit	
Power Supply	Input:AC100-240V Ouyput:DC15V 1500mA	Power Supply	Receive power from monitor
Power	Standby: ≤1W Working: ≤10W	Power	Standby: ≤0W Working: ≤2W
Screen	7'TFT Liquid Crystal Display	Camera	700VTL digital high-definition camera
Wiring	4 OR 5 PIN Line RVV	Night vision	Infrared vision
Video Signal	1VP-P	Working Temperature	-30°C-+60°C
Timing	Monitoring:90 seconds Intercom:90 seconds	Dimension	125*50*27mm
Ringtone	12chord		
Working Temperature	-20°C-+60°C		
Dimension	230*165*20mm		

G. Other instructions

a. Product transportation

The items should be transported in the condition of the original packing intact, Please don't open the package .

In order to avoid unnecessary losses, When Transport should pay attention to sun, moisture, dust and mechanical damage.

b. Product storage

Packaged products should be stored at ambient temperature of 10°C--40°C, relative humidity of not more than 80%. Non-corrosive gas. Well ventilated, away from the open flame in the interior or in the warehouse.

c. Maintenance

1. When installing video doorbell on the wall, we should pay attention to avoid strong vibration, collision, knock, so as not to cause Soil surface damage.
2. Be careful not to use a damp cloth or hand to wipe the doorbell lens.
3. When cleaning, you should use soft cotton fabric to wipe, and it is better not to use chemically cleaner. These solvents will corrode the surface material of the product.
4. In order to extend the life cycle of the equipment. Equipment should be installed in a dry, dust place. Avoid direct sunlight, to prevent the erosion of rain and snow.
5. During the installation process, strictly charged operation, wiring need to stay away from the source of the disturbance.

Special Statement

1. Please read this manual carefully before installing, special problems please contact the company Technical Advisory Center.
2. All the contents of this instruction book, including accessories and software, are subject to ownership and interpretation of our company. No copy or translation shall be made without authorization.
3. The product models, specifications and parameters of this instruction book are for your reference, The contents will be upgraded and changed at any time. Please refer to receipt in kind without further notice.