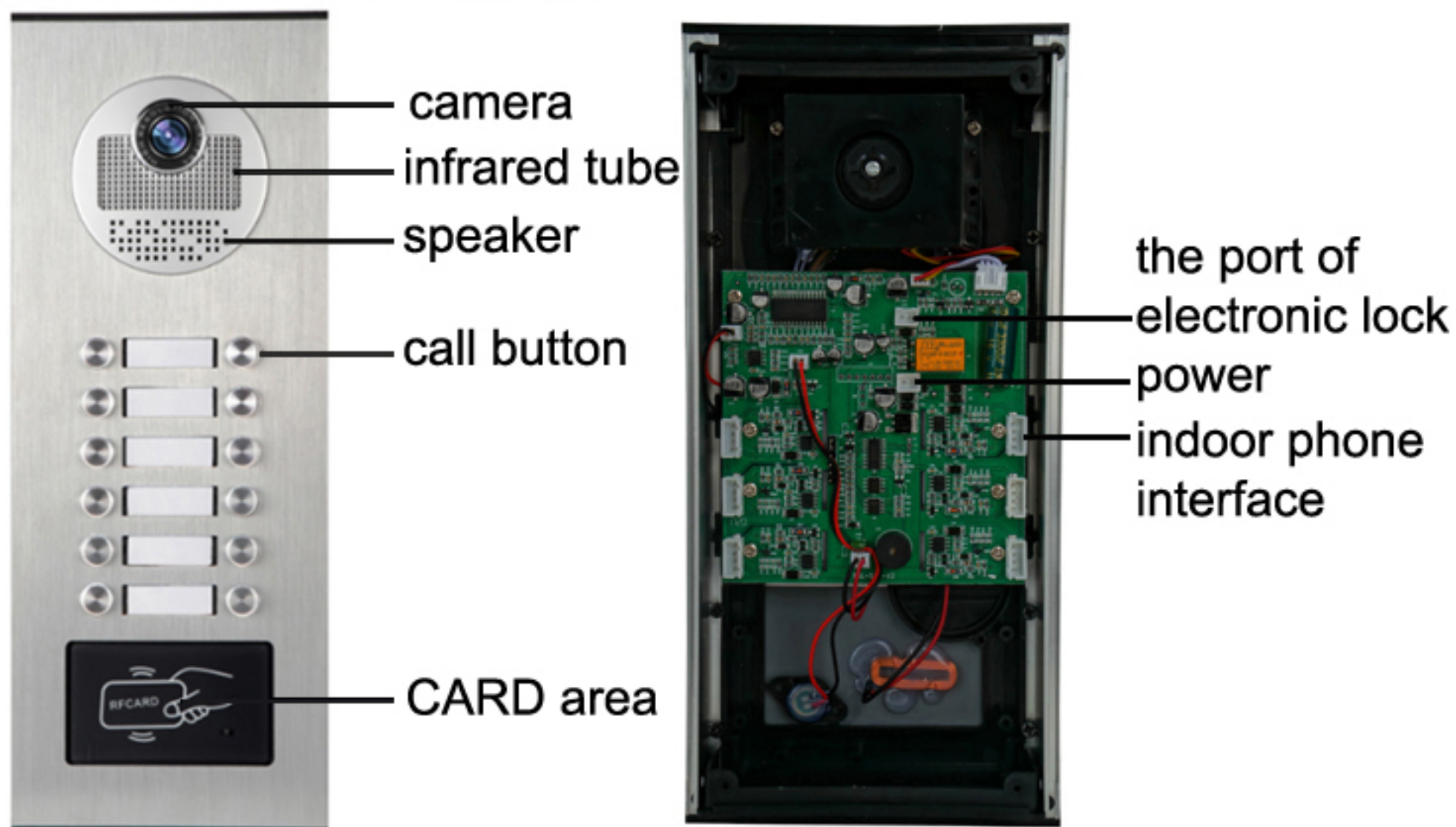


1. The structure of the host and extension



2. Technical parameters

Outdoor station	
camera	1/4CMOS
definition	680line
luminance	0.1LUX
static current	≤60mA
working voltage	≤2000mA
working voltage	DC12~15V
working temperature	-10~-60
dimension	265*128*48/331*128*48mm

outdoor station 4-wire(4-wire is used to connect the indoor phone)

number	color	note	remark
1	red	power	φ ≥0.2mm
2	black	ground	φ ≥0.2mm
3	blue	audio	φ ≥0.2mm
4	yellow	video	φ ≥0.2mm

outdoor station 2-wire(used to connect the electric lock)

number	color	note	remark
1	red	unlock	φ ≥1mm
2	black	ground	φ ≥1mm

Indoor phone	
Display screen	7" TFT
definition	800*480
dimension	240*150*25mm
power source	DC15V 1200mA
video input	1VP-P/75Ω
bell	25 chord
show time	switch to standby mode after 30 seconds
power consumption	standby≥0.02W, working ≥6W
connecting wire	5 core wire

indoor phone 5-wire(used to connect the next indoor phone)

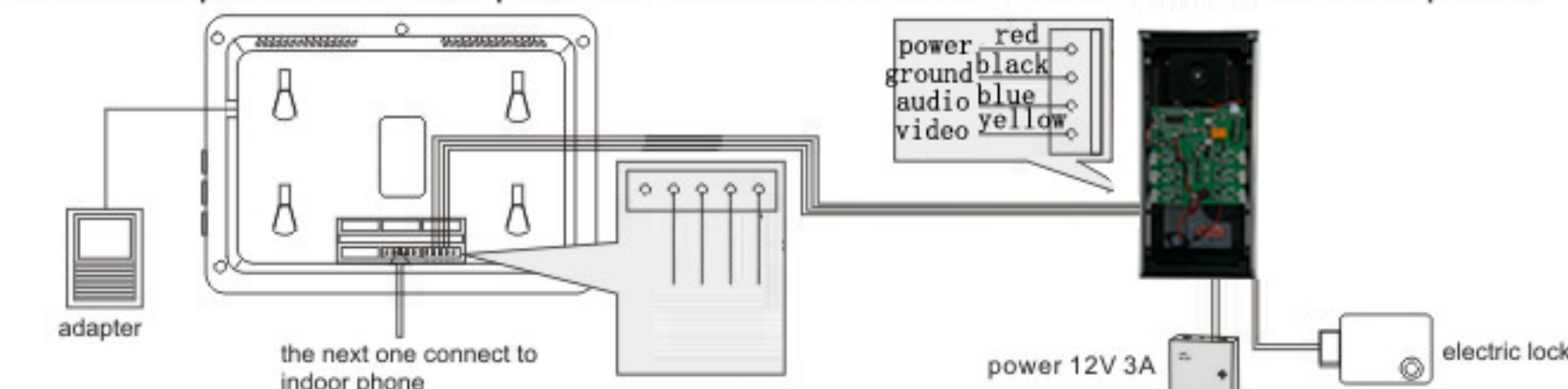
number	color	note	remark
1	red	power	φ ≥0.2mm
2	black	ground	φ ≥0.2mm
3	blue	audio	φ ≥0.2mm
4	yellow	video	φ ≥0.2mm
5	green	internal communication line	used when connect several indoor phones

adapter

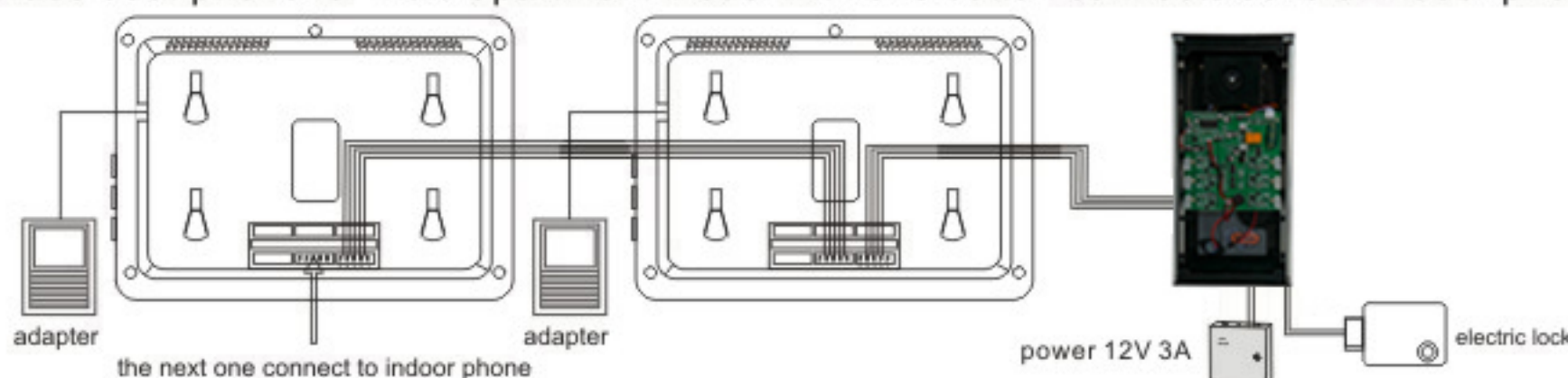
input	AC 100-240V~50/60Hz
output	DC 15V---1200mA
color	red----12V black----GND

3. Wiring diagram

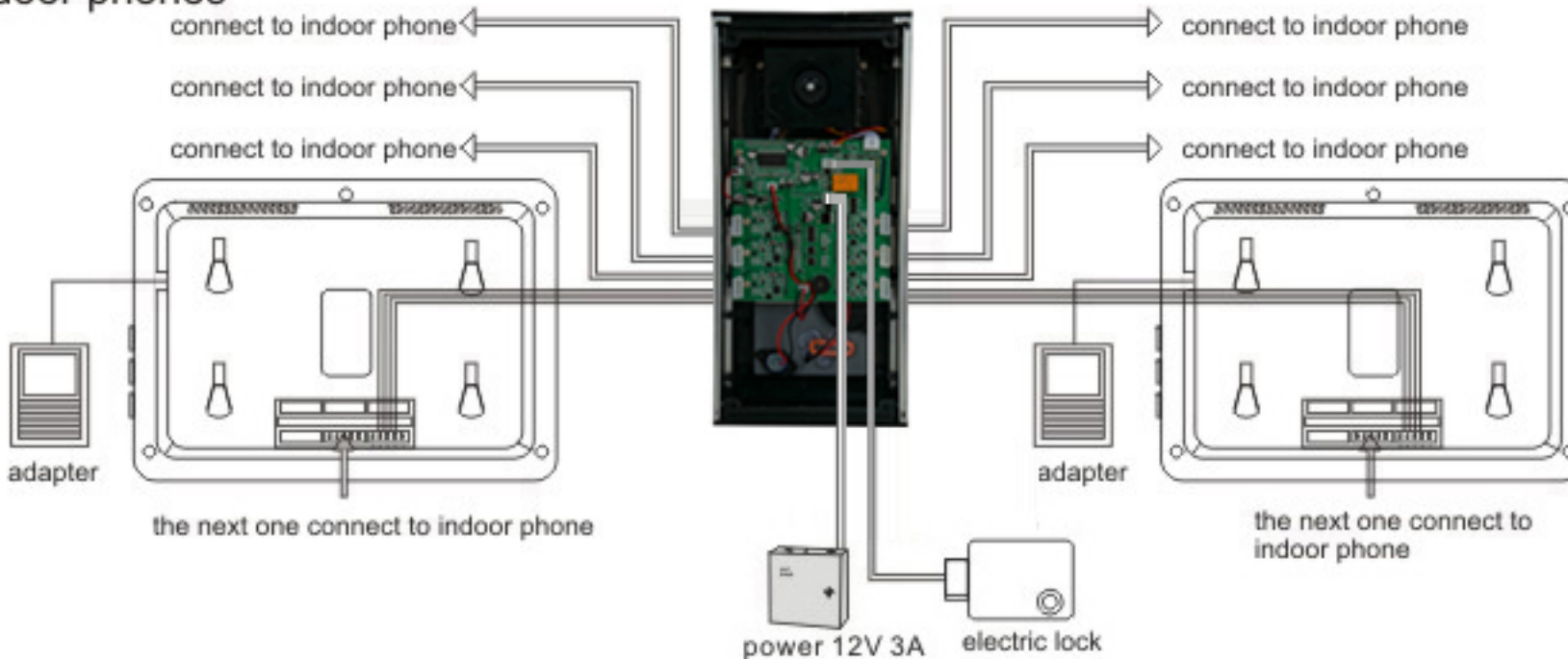
a. video door phone for multi-apartment model with one button connects one indoor phone



b. video door phone for multi-apartment model with one button connects several indoor phones



c. video door phone for multi-apartment model with multiple buttons connects several indoor phones

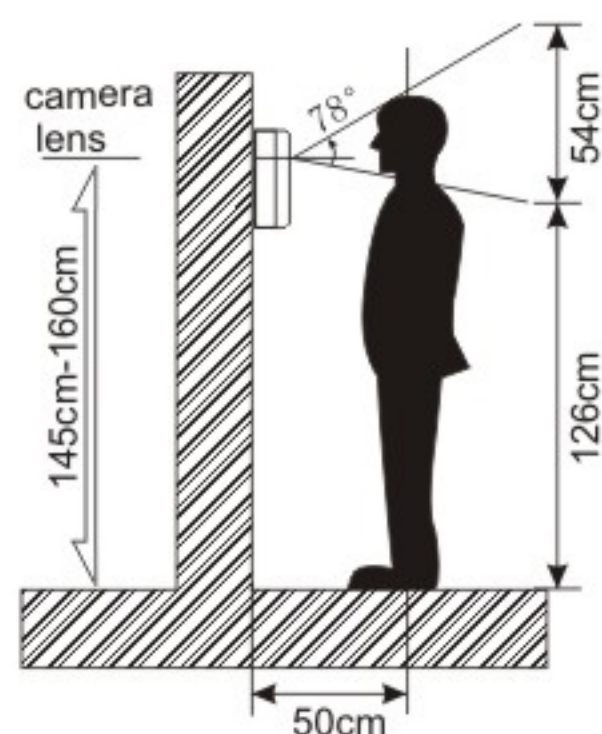


4. Function and operation instruction

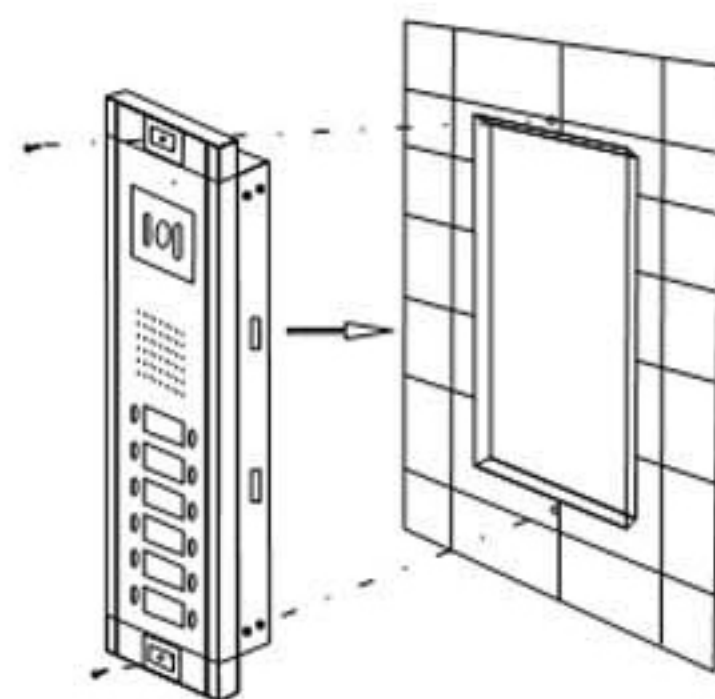
Operating instruction

- When the visitor press the "call" button on the outdoor station, the ringing will be triggered on indoor phone, and with the image shown on display screen.
- The resident presses "intercom/call" button, the talk process is established.
- The resident presses "unlock" button during talking to open the electric lock.
- Press the "monitoring" button, and the resident can monitor the situation outside.
- If one residence installed several indoor phones, press "communication/call" button to establish the indoor phone with other indoor phones.
- Increase ID card : Firstly brush "Increasing management card", and brush "blank card" after a tick, then brush "Increase management card" again, the blank card will be set up well as a valid card.
- Delete ID card : Firstly brush "Delete management card", and brush the valid card after a tick, then Brush "Delete management card" again, the valid card will be blank.

5. Installation instruction



The standard height for the door station installation



Embedded installation

6. Installation warnings

- Use RVV4 core wire to connect outdoor station with indoor phone, while RVV5 core wire to connect indoor phone with the next indoor phone.
 - The cross-sectional area of the wire connecting host and electric should be less than 1 mm^2 (1 mm^2), and the length should be shorter than 15 m ($\leq 15 \text{ m}$), or the cross-sectional area of the wire should be enlarged.
 - Install the outdoor station at a height with good line of view, the suggested height is 150 cm (the height of the camera).
 - The outdoor station and indoor phone should be installed away from direct sunlight, high temperature, condensing, wet, chemical corrosion and dusty places (standard temperature $0\text{--}45 \text{ }^\circ\text{C}$), in case that the inner components are affected with damp and other sundries get into the machine.
 - Do not use chemicals, cleansers and other detergent to clean the surface.
 - Do not install the intercom system in strong magnetic field (such as nearing the non-shielding speaker).
 - Do not install the intercom system in magnetic disturbed terribly field (such as nearing the electric motor).
 - Do not install the intercom system in the place with a noise higher than 65 Db , or the receiver of the indoor phone will be disturbed.
 - Switch off power during installation.
 - After all the wire being connected well, check it repeatedly and plug the power in if no error occurred.
 - When power in and any abnormal situation occurred, power off immediately until you find the trouble and solve it.
 - To keep the stability of the system and make it easy to repair in the future, all the thum of the wire can't put in the tube or anywhere accessible to water, the thum should be soldered and packed well with heat shrinkable tube, and it should be waterproof and damp proof.
 - Non-professionals should not open the cover without authorities.
- If the system is abnormal, power off and check it by parts according to <common mistakes handling>. If the problem hasn't been found, please contact the dealer or the after-sales services department, do not repair it by yourself or change the components in case that it will damage the system.

Video Doorphone for apartment

Installation instructions



Thank you for purchasing this product.

Please read the user's manual in detail before using this product, making sure that it is operated properly.