

Access Control Keypad

User Manual



Please read the manual carefully before use this unit

1. Product Description

The device is a standalone access control and proximity card reader which supports EM & MF card types. It builds-in STC microprocessor, with strong anti-interference ability, high security and reliability, powerful function and convenient operation. It's widely used in high-end buildings, residential communities and other public places.

2. Product Specification

Material: ABS	Working Voltage: DC 12V
User Capacity: 10,000 users	Standby Current: ≤ 30mA
Working Frequency: 125KHz, 13.56MHz	Card Reading Distance: 0-5CM
Card Reading Type: EM ID / MF 1K compatible	Management cards: can be set
Access Ways: Card, Code, Card & Code	Wiegand Interface: WG26 / WG34
Waterproof Level: IP68	Door opening time: 0-99 seconds (Adjustable)
Doorbell: support external wired doorbell	Backlight Keypad: operate easily at night
Working Temperature: -20°C ~ 70°C	Working Humidity: 20% ~ 90%

3. Function Setting Table

Input * 123456 # to enter programming mode	"1"	Add User
	"2"	Modify the public unlocking password (4-6 digits)
	"3"	Delete a single user
	"4"	Delete all users
	"5"	Modify the door opening delay time
	"6"	Restore factory settings (system initialization)
	"7"	Set management card (Add Card)
	"8"	Set management card (Delete Card)
	"9"	Modify programming password

4. Programming Guide

Note: The default public door opening password **7890**, programming password **123456**

4.1 Add Card (2 methods for choice)

(1) Press * programming password # 1 swipe card

(For multiple cards, continue to swipe card, press * key to exit programming)

(2) Press * programming password # 1 3 digits user code # swipe card

Note: The user code is any 3 digits, continuous automatically incremented by 1.

4.2 Modify public door opening password

Press * programming password # 2 4-6 digits new code # Repeat 4-6 digits new code

4.3 Delete a single user (3 methods to delete)

(1) Press * programming password # 3 swipe card

(2) Press * programming password # 3 input the 10 digits card number #

(3) Press * programming password # 3 input 3-digits number #

4.4 Delete all users

Press * programming password # 4 repeat programming password #

4.5 Modify the door opening delay time

Press * programming password # 5 enter 1-99 digits #

Note: the door opening time range: 0-99 seconds, 5 seconds by default

4.6 Restore factory settings

Press * programming password # 6 repeat programming password #

Press * 654321 # to reset the programming password to default 123456

4.7 Set management card (Add Card)

Press * programming password # 7 swipe the card

Note: swipe the Add Card to enter the card adding mode, swipe the card to add users

4.8 Set management card (Delete Card)

Press * programming password # 8 swipe the card

Note: swipe the Delete Card to enter the card delete mode, swipe the card to delete it

4.9 Modify Programming Password

Press * programming password # 9 New 6-digit programming password # repeat New 6-digit programming password #

Press * to exit the programming mode. Automatically exit programming mode if without action more than 10 seconds.

5. Additional Functions

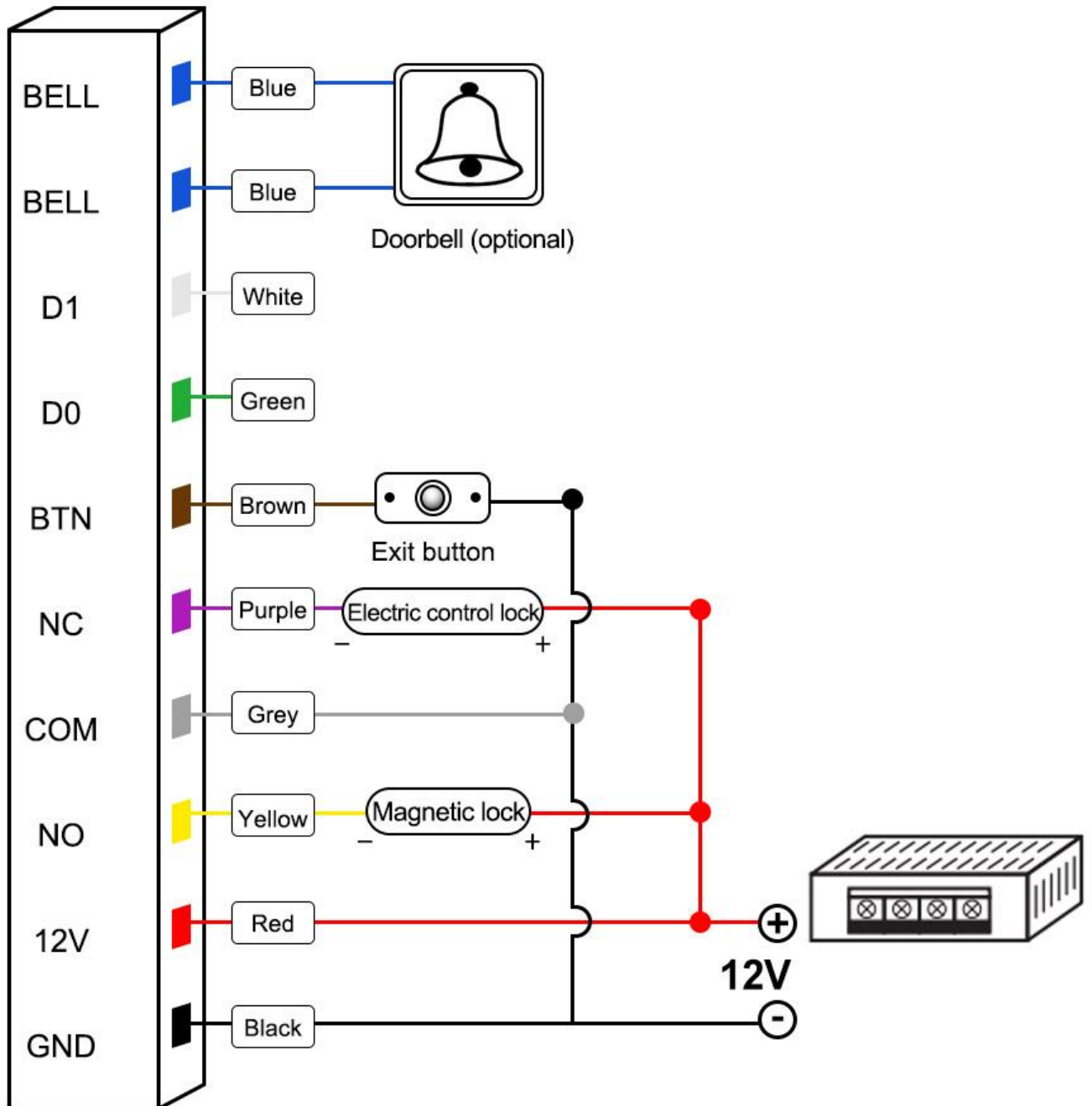
- **Normally open mode:** press 0 # after opening the door with password or swiping card, green light keep on.
- **Return to the normally closed mode:** press 0 # or input any unlock method of password or swiping card.
- **Turn on the combined door opening method:** Press * programming password # 0 21 # (card + password)
- **Turn off the combined door opening method:** Press * programming password # 0 20 #
- **Card reader mode:** Press * programming password # 0 31 # (default WG26)
- **Access control mode:** Press * programming password # 0 30 #

6. Wiring Ports

Colour	Function	Description
Black	GND	Power Negative
Red	12V	Power Positive
Yellow	NO	Relay normally open output
Grey	COM	Relay Public terminal
Purple	NC	Relay normally close output
Brown	BTN	Exit Button input terminal
Green	D0	Wiegand Signal D0
White	D1	Wiegand Signal D1
Blue	BELL	Doorbell button terminal
Blue	BELL	Doorbell button terminal

7. Wiring Diagram

7.1 Common Power Supply



7.2 Special Power Supply

